

5

4

3

2

1

A

A

B

B

C

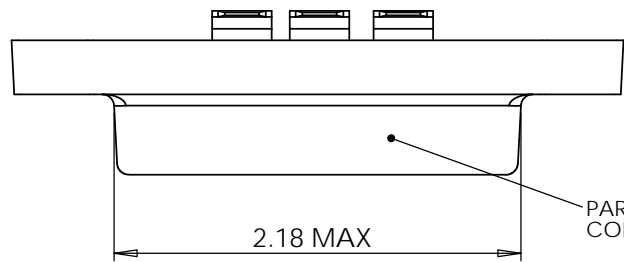
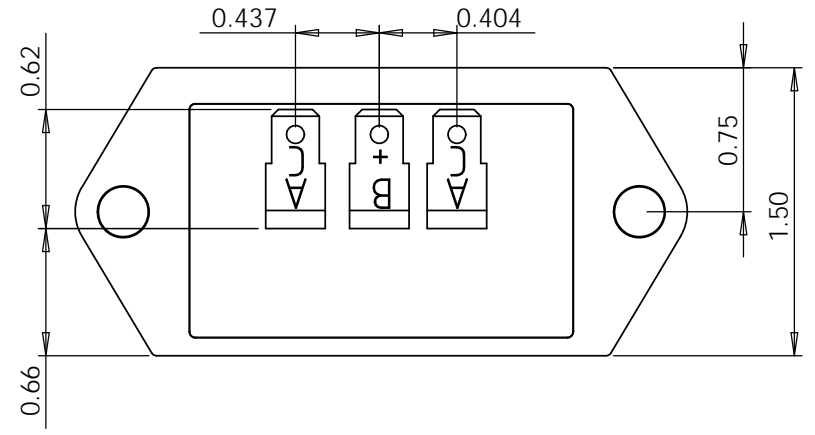
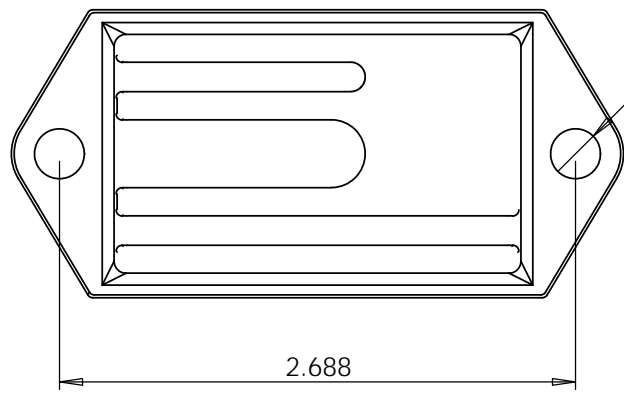
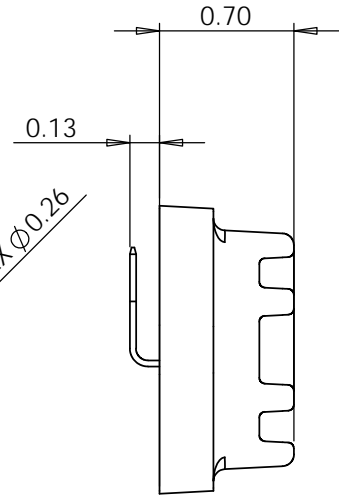
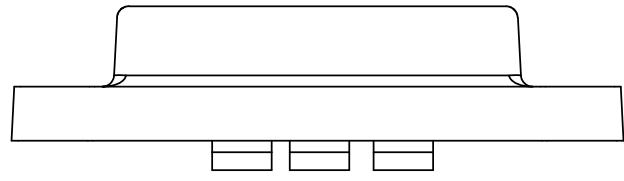
C

D

D

E

E



NOTES:

- 1.) Unit protected against most reverse battery conditions. External fuse protection is recommended.
- 2.) For mating terminal & connector use Packard Electric terminal #2965142 & connector body #2984959.
- 3.) Regulator for use with 12 V negative grounded battery only.
- 4.) Regulation voltage: 14 ± 0.3 V at 70°F.
- 5.) Reverse current: 1 mA maximum at 70°F.
- 6.) Unit protected against open circuit and short circuit operation.
- 7.) Temperature compensation range: -5 to -15 mV/°F.
- 8.) Encapsulate unit with Polyurethane compound, NOT TO EXCEED HEIGHT OF HOUSING.
- 9.) Current at regulation: 0.5 A maximum at 70°F.

PART NUMBER AND DATE CODE IN THIS AREA

DWN	CHK	DESCRIPTION	ECN #	REV	DATE
JG	DB			P01	5/27/10

UNLESS OTHERWISE SPECIFIED:	NAME	DATE
DIMENSIONS ARE IN INCHES	DRAWN	JG 5/17/10
TOLERANCES:	CHECKED	DB 5/27/10
FRACTIONAL ± 0.062	ENG APPR.	DB 5/27/10
ANGULAR: MACH $\pm 0.5^\circ$ BEND $\pm 0.5^\circ$	MFG APPR.	
TWO PLACE DECIMAL ± 0.05	Q.A.	
THREE PLACE DECIMAL ± 0.01	COMMENTS:	FIRST ANGLE VIEW
METRIC IN [mm]		
INTERPRET GEOMETRIC TOLERANCING PER: ANSI Y14.5M-1982		
MATERIAL		
FINISH		
	NEXT ASSY	USED ON
	APPLICATION	
	DO NOT SCALE DRAWING	

TROMBETTA ELECTRONICS
 197 Commercial St.
 Malden, Ma. 02148

TITLE:
15 AMP REGULATOR/RECTIFIER

SIZE	DWG. NO.	REV
A	AXXXX	REL

SCALE: 1:1 WEIGHT: SHEET 1 OF 1

PROPRIETARY AND CONFIDENTIAL
 THE INFORMATION CONTAINED IN THIS DRAWING IS THE SOLE PROPERTY OF TROMBETTA-TYMPANIUM. ANY REPRODUCTION IN PART OR AS A WHOLE WITHOUT THE WRITTEN PERMISSION OF TROMBETTA ELECTRONICS IS PROHIBITED.

QUOTE	
PROD	<input checked="" type="checkbox"/>

5

4

3

2

1